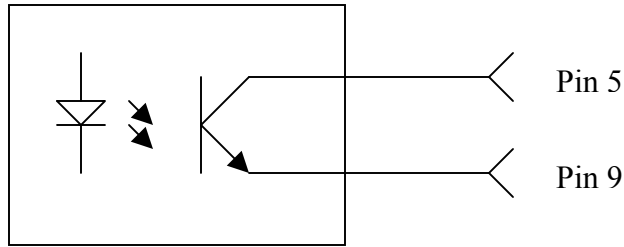
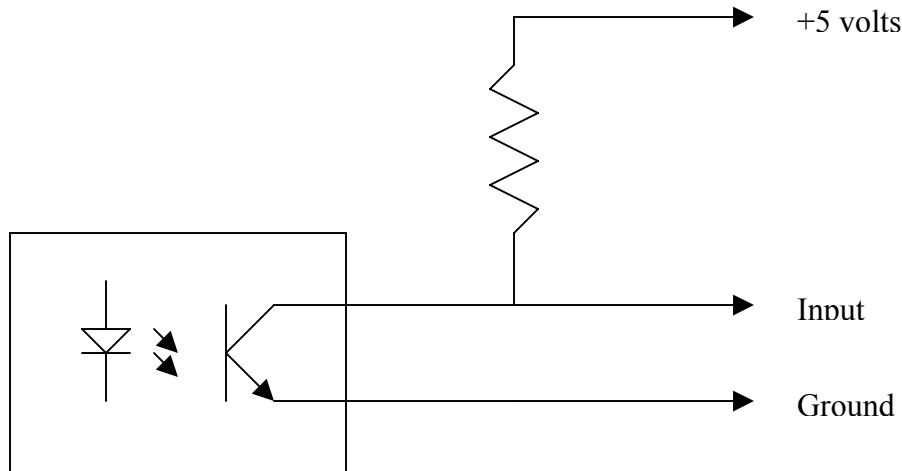


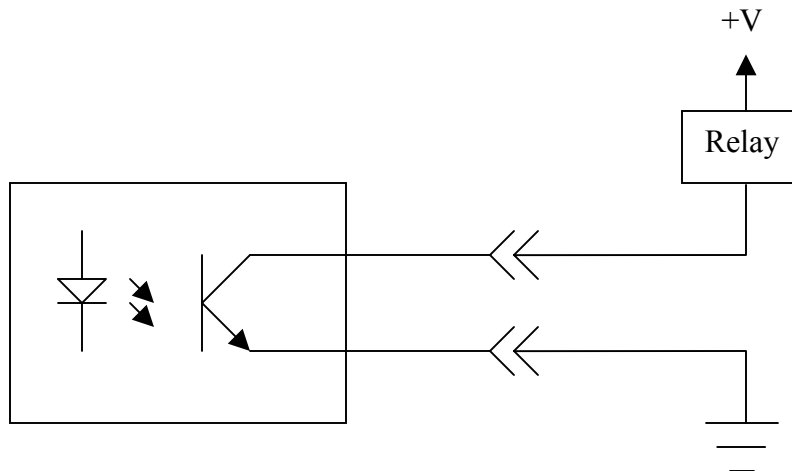
VoxPro GPI Output



This is the output circuit of the VoxPro GPI



This is one method of connecting the VoxPro GPI output to customer equipment requires CMOS or TTL level inputs



This is the preferred method of connecting the VoxPro GPI output to customer equipment that requires a contact closure output.
The maximum current is 0.10 amp DC.
The maximum voltage is 50 volts DC.